

MARQUES™

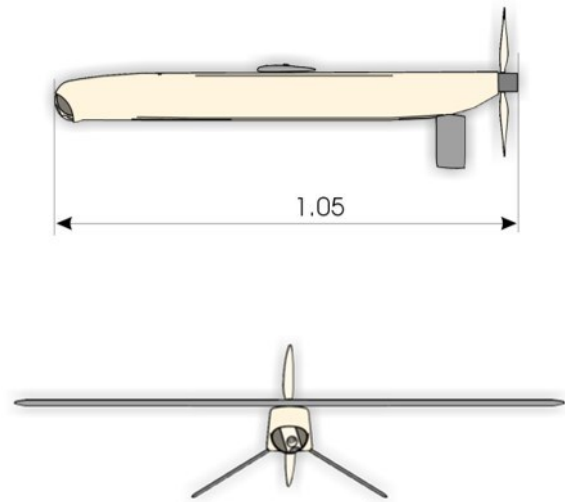
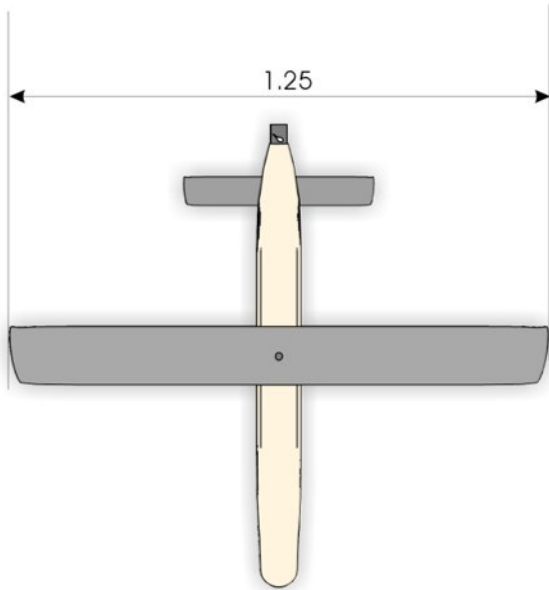
A V I A T I O N

MA SkyPatrol



UNMANNED AERIAL SURVEILLANCE SYSTEM

MA AirDefence SkyPatrol



MA AD SkyPatrol AirDefence

MINI UAV ELECTRICAL SYSTEM

The light weight SkyPatrol is part of the AirDefence UAS series family. It is a mini UAV electrical system. With a 10 km radius range the system is ideally suited for immediate investigation of remote problem areas as well as for locating and verifying area parameter for onsite missions and scouting missions, amongst other.

MISSION PAYLOADS

Double modular composite air vehicle.

Quiet and reliable electric propulsion.

Microwave uplink.

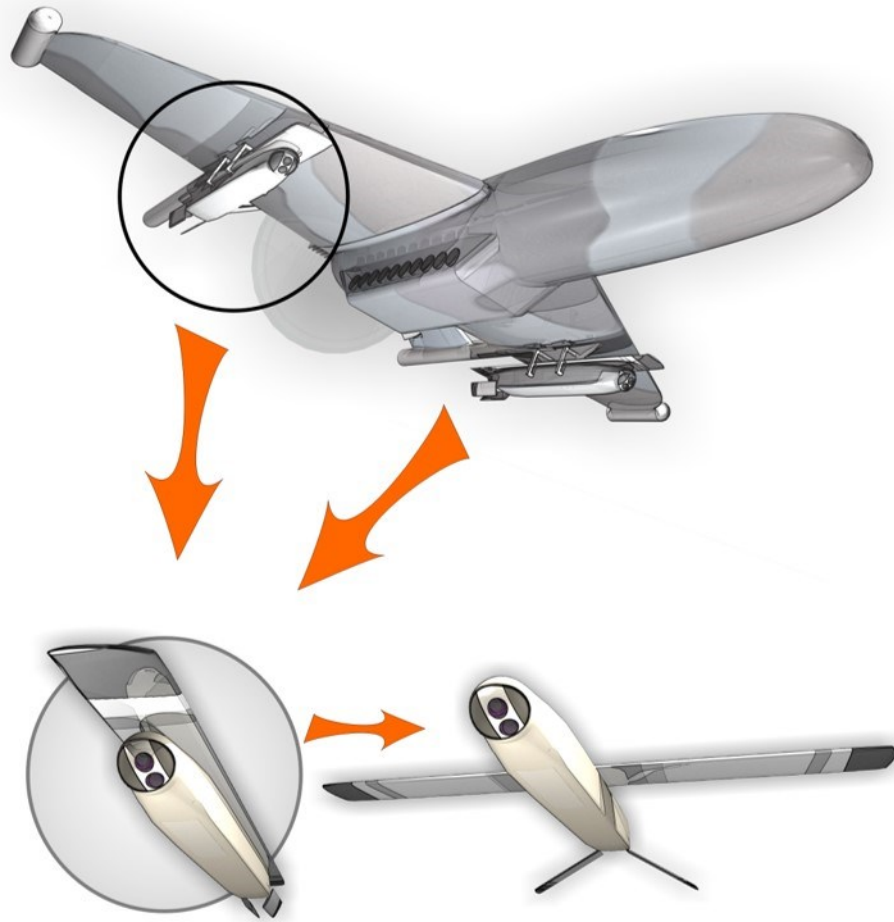
8 channel microwave (video and telemetry) transmitter and antenna.

Onboard and ground video switching system (controlled gimbal including 2 different fields of view cameras and a third forward looking fixed camera).

Advanced miniature GPS navigation autopilot. Fully autonomous 'hands-off' operation from takeoff to recovery.

Lightweight waterproof transportation case.

UAV CARRIER SYSTEM



AVAILABLE PAYLOAD

Dual daylight color TV gimbal
Dual low light TV nose
IR fixed forward camera
Environmental detectors

GROUND COMMUNICATION SYSTEM

Command/communications subsystem case.
Hi-Gain and telemetry receiver with directional antenna.
Color LCD video goggle display.
1-watt UHF uplink transmitter.
Remote video over Ethernet (LAN and wireless).

INVESTORS & SALES

MARQUES AVIATION LTD welcomes international investors for the MA AirDefence program.

Contact our representatives to discuss your UAS requirements.



MARQUES AVIATION LTD.

Dr Pascual Marqués
President
p.marques@marquesaviation.com

Dr Emaid Abdul Retha
Director of Engineering R&I
e.abdulretha@marquesaviation.com

Mr Sönke Dierks
Director of Aircraft Design
s.dierks@marquesaviation.com

Dr Osato Osemwengie
Director of Engineering R&I
o.osemwengie@marquesaviation.com

MARQUESTM
A V I A T I O N